

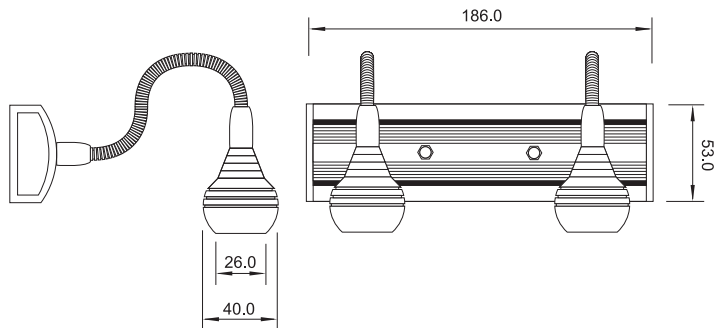
SL2AF Series

Ordering Informations

Model No.	Color	Size	Light Source	Luminous Intensity
SL2AFWW2W	Warm White (3,000-3,500K)	53x186 mm	2x1W	190-200lm
SL2AFWE2W	Cool White (6,000-6,500K)	53x186 mm	2x1W	200-210lm



Outline Drawing



Features

- Aluminum casing with special extrusions design
- Energy saving
- Eco-friendly product
- Long life time
- High luminance
- Low power consumption
- RoHS compliant
- Low surface heat against hand touch
- No UV or IR damage light sensitive items
- Highly efficient heat release mechanism

* The dimensional outline drawings are common in (SL2AFWW2W and SL2AFWE2W)

Unit: mm

Specifications

Parameter	Rating value
Power Consumption	2W
Input Voltage	AC 110-260V, 50/60Hz
Light Source	2x1W power LED
Operating Temperature	- 40 to +70°C
Beam Angle	30°
Weight	450g
CRI	85
Body / Finish Color	Aluminium

Warning:

- * Do not look permanently to the light sources.
- * Specified performance measured in 110-260Vac.

