

# SL1L Series

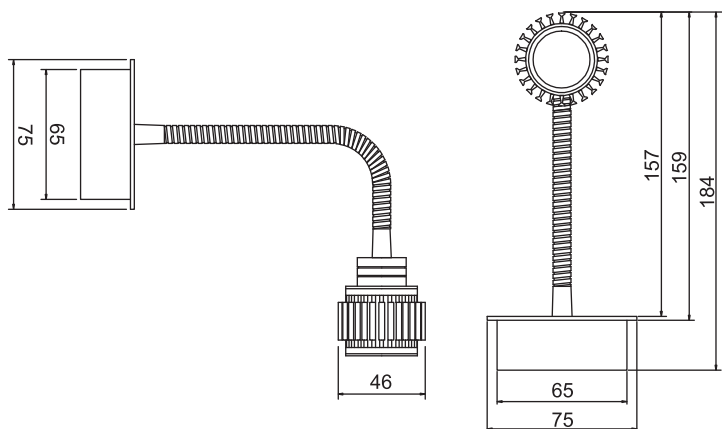
## Ordering Informations

| Model No. | Color                     | Size           | Light Source | Luminous Intensity |
|-----------|---------------------------|----------------|--------------|--------------------|
| SL1LWW1W  | Warm White (3,000-3,500K) | 75.0 x 184.0mm | 1x1W         | 90-100lm           |
| SL1LWE1W  | Cool White (6,000-6,500K) | 75.0 x 184.0mm | 1x1W         | 100-110lm          |

## Outline Drawing



SL1L Series



\* The dimensional outline drawings are common in (SL1LWW1W and SL1LWE1W)

Unit: mm

## Features

- Aluminum casing with special extrusions design
- Energy saving
- Eco-friendly product
- Long life time
- High luminance
- Low power consumption
- RoHS compliant
- Low surface heat against hand touch
- No UV or IR damage light sensitive items
- Highly efficient heat release mechanism

## Specifications

| Parameter             | Rating value         |
|-----------------------|----------------------|
| Power Consumption     | 1W                   |
| Input Voltage         | AC 110-260V, 50/60Hz |
| Installation Diameter | 65.0mm               |
| Light Source          | 1x1W power LED       |
| Operating Temperature | - 40 to +70°C        |
| Beam Angle            | 30°                  |
| Weight                | 245g                 |
| CRI                   | 85                   |
| Body / Finish Color   | Aluminium            |

### Warning:

- \* Do not look permanently to the light sources.
- \* Specified performance measured in 110-260Vac.

