

# SL1K Series

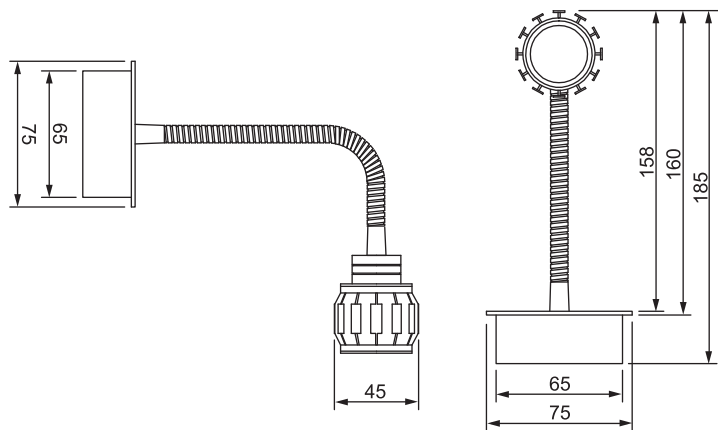
## Ordering Informations

Model No.	Color	Size	Light Source	Luminous Intensity
SL1KWW1W	Warm White (3,000-3,500K)	75.0 x 185.0mm	1x1W	90-100lm
SL1KWE1W	Cool White (6,000-6,500K)	75.0 x 185.0mm	1x1W	100-110lm



SL1K Series

## Outline Drawing



\* The dimensional outline drawings are common in (SL1KWW1W and SL1KWE1W)

Unit: mm

## Features

- Aluminum casing with special extrusions design
- Energy saving
- Eco-friendly product
- Long life time
- High luminance
- Low power consumption
- RoHS compliant
- Low surface heat against hand touch
- No UV or IR damage light sensitive items
- Highly efficient heat release mechanism

## Specifications

Parameter	Rating value
Power Consumption	1W
Input Voltage	AC 110-260V, 50/60Hz
Installation Diameter	65.0mm
Light Source	1x1W power LED
Operating Temperature	- 40 to +70°C
Beam Angle	30°
Weight	234g
CRI	85
Body / Finish Color	Aluminium

### Warning:

- \* Do not look permanently to the light sources.
- \* Specified performance measured in 110-260Vac.

