

# MR16-1U Series

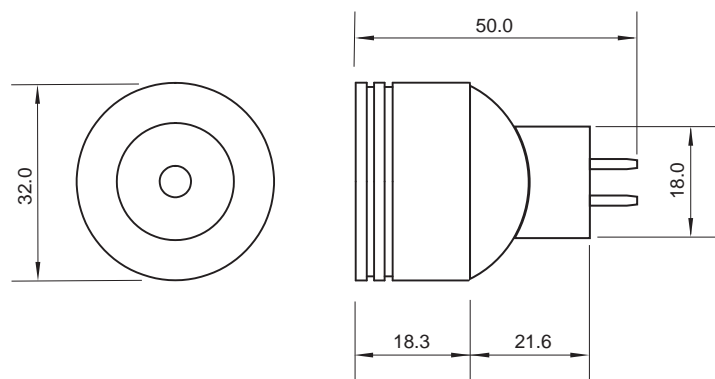
## Ordering Informations

Model No.	Color	Size	Light Source	Luminous Intensity
MR16-1UWW1W	Warm White (3,000-3,500K)	Ø32.0 x 50.0mm	1x1W	90-100lm
MR16-1UWE1W	Cool White (6,000-6,500K)	Ø32.0 x 50.0mm	1x1W	100-110lm

## Outline Drawing



MR16-1U Series



## Features

- Aluminum casing with special extrusions design
- Energy saving
- Eco-friendly product
- Long life time (up to 50,000hours)
- High luminance
- Low power consumption
- RoHS compliant
- Low surface heat against hand touch
- No UV or IR damage light sensitive items
- Highly efficient heat release mechanism

\* The dimensional outline drawings are common in (MR16-1UWW1W and MR16-1UWE1W)

Unit: mm

## Specifications

Parameter	Rating value	Unit
Size	32.0 x 50.0mm	mm
Power Consumption	1	W
Input Voltage	AC / DC 12V	V
Light Source	1x1 W power LED	
Operating Temperature	-40 to +70°C	°C
Beam Angle	30°	deg
Weight	26	g
CRI	85	
Body / Finish Color	Aluminum	
Life Time	50,000	hours

### Warning:

- \* Do not look permanently to the light sources.
- \* Specified performance measured in AC / DC 12V.

