

DL9P Series

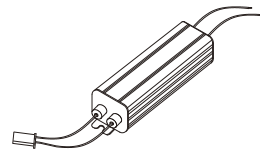
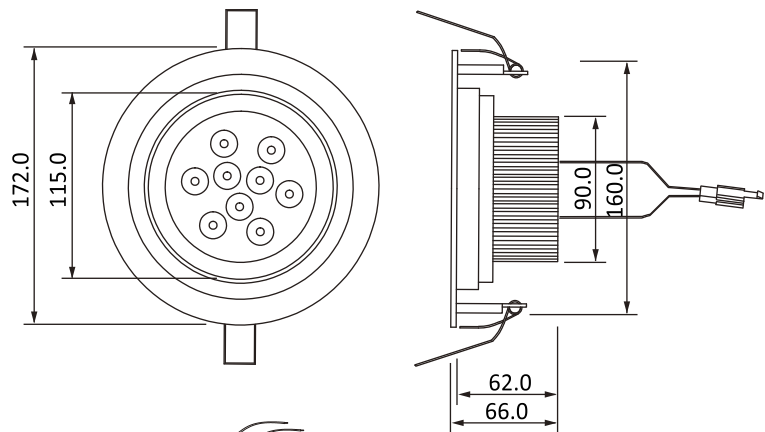
Ordering Informations

Model no.	Color	Size	Light Source	Luminous Intensity
DL9PWW9W	Warm White (3,000-3,500K)	Ø 172.0 x 66.0mm	9x1W	810-860lm
DL9PWE9W	Cool White (6,000-6,500K)	Ø 172.0 x 66.0mm	9x1W	900-930lm

Outline Drawing



DL9P Series



AC 85-220V, 50/60Hz
Supply unit

Features

- Special extrusions design
- Energy saving
- Eco-friendly product
- Long life time
- High luminance
- Low power consumption
- RoHS compliant
- Low surface heat against hand touch
- No UV or IR damage light sensitive items
- Highly efficient heat release mechanism

* The dimensional outline drawings are common in (DL9PWW9W and DL9PWE9W)

Unit: mm

Specifications

Parameter	Rating value
Power Consumption	9W
Input Voltage	AC 85-220V, 50/60Hz
Installation Diameter	120.0mm
Light Source	9x1W power LED
Operating Temperature	-40 to +70°C
Beam Angle	45°(15°)
Weight	596g
CRI	85
Body / Finish color	Black

Warning:

- * Do not look permanently to the light sources
- * Specified performance measured in AC 85-220V

